

Ratchet Crimp Tool For Large O.D. Shielded Cable



Ratchet Crimp Tool TRCSPDY5

Our ratchet crimp tool is designed for professional installers using **SPEEDY** RJ45 and standard, non-feedthrough, 8p8c (RJ45) plugs. This superior quality tool has been specially designed to ensure that **SPEEDY** RJ45 terminations are not only faster than using other plugs but also consistent, reliable and repeatable.

Features

- Crimps **SPEEDY** RJ45 Category 5, 6, 6A and 8 plugs as well as standard (non feed-through) RJ45 plugs
- On **SPEEDY** RJ45 crimps and trims surplus wires in a single operation, with a neat, flush finish
- Heavy duty, high quality tool designed for everyday use
- 2x 'V' shaped facility for crimping rear shielding grip onto cables of differing outer diameter
- Ratchet will release when required pressure has been applied
- Ratchet ensures correct pressure when crimping plugs
- Ergonomic handles are comfortable to use and give maximum leverage with minimum effort
- Adjustable to enable crimps of RJ45 plugs with 1 or 2 compression points – see illustration below
- Precise CNC ground fabricated teeth for crimper
- Every termination meets FCC specifications
- Suitable for crimping cable diameters OD 7.5 and 9.5mm

Specifications

Materials:

- Frame: S45C middle carbon steel with black oxide finish.
- Crimp head: zinc alloy
- Grip: ThermoPlastic Rubber (TPR) + Polypropylene (PP)
- Blade material: SK5 High Carbon Steel
- Adjustable Plate: Stainless Steel
- Colour: red/black
- Dimensions: 226x 79 x 23mm (including primary packaging)
- Weight: 538g

Packaging

Supplied in white boxes

EAN: 5055386511546

Commodity Code: 82032090

Country of Origin: Taiwan

Adjustable plate for plugs with and without an internal strain relief latch.



Video guide on using the TRCSPDY 5 <https://youtu.be/jGFAkXjwAK0>

Note: It is recommended that the blade for trimming the surplus wires is replaced after 500 uses

Replacement Cutting Blades



Cutting blades for TRCSPDY5 crimp tool (TBSPDY5)

Supplied as a pack of two cutting blades with fixing screw, this replacement blade kit ensures that crimping performance levels are maintained throughout the life of the **SPEEDY** RJ45 crimp tool.

Note: It is recommended that this blade is renewed on the tool after every 500 terminations

Features

- High performance cutting blade guarantees a flush wire trim on extended conductors

Specifications

- Material: SK5 High Carbon Steel
- Dimensions: 50x 20 x 3mm (including primary packaging)
- Weight: 2g

Packaging

Supplied in a pack of 2 with replacement screw, then in packs of 10

EAN: 5055386511546

Commodity Code: 82032090

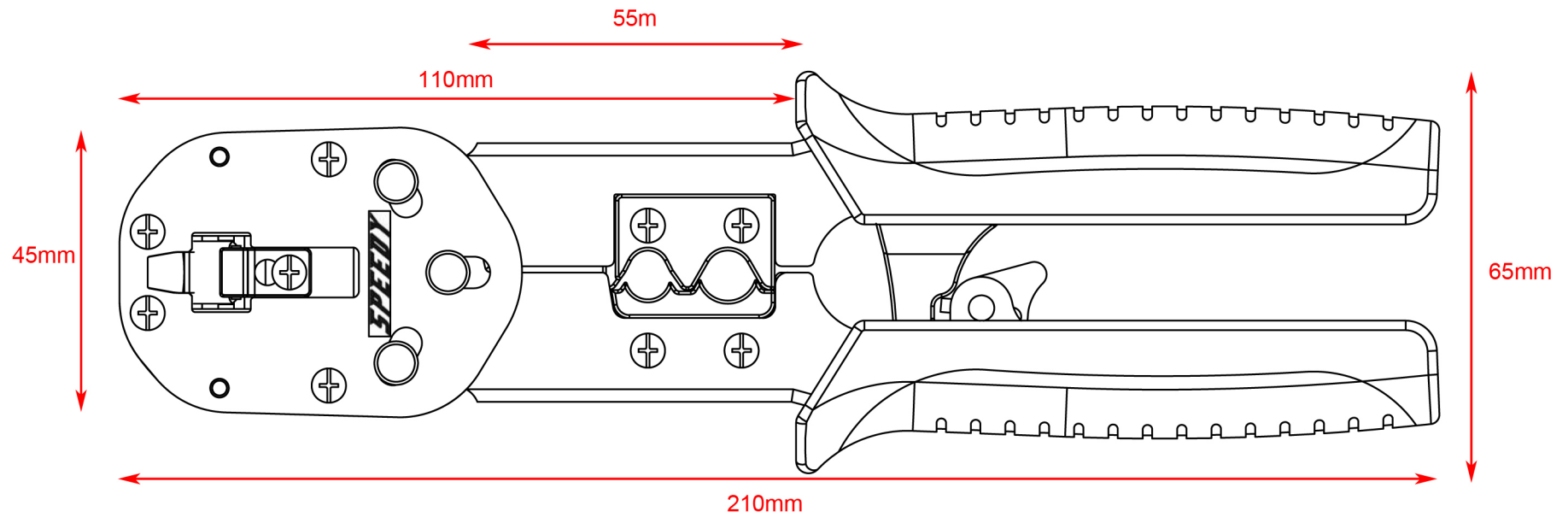
Country of Origin: Taiwan



SPEEDY RJ45

ROHS Compliant

Code: TRCSPDY5



03/04/2024

