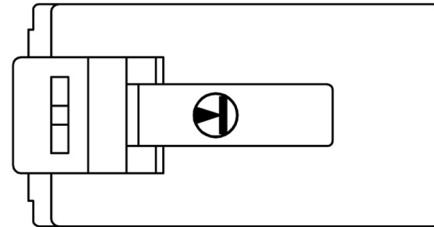


ROHS Compliant

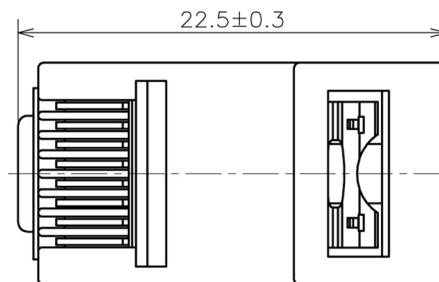
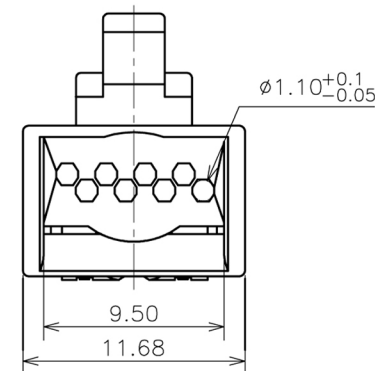
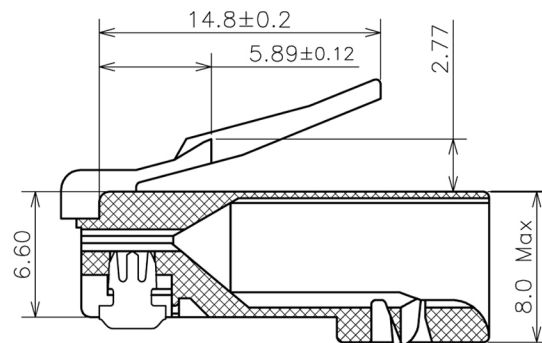
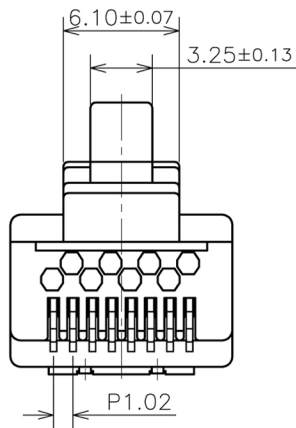
Code: P6SPDY6c



Material:

Housing: PC resin, UL94-V0, transparent

Contacts: Phosphor copper plated with 50µ"/1.27µm thick hard gold over nickel underplate on contact area



DIMENSIONAL TOLERANCE

X . X	±0.20
X . XX	±0.10
X . XXX	±0.05
ANGLE	±2°

THIRD ANGLE PROJECTION

