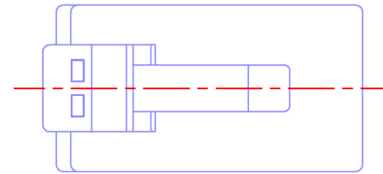
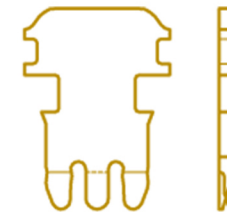
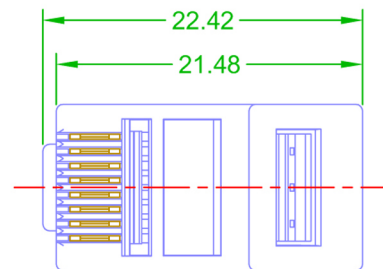
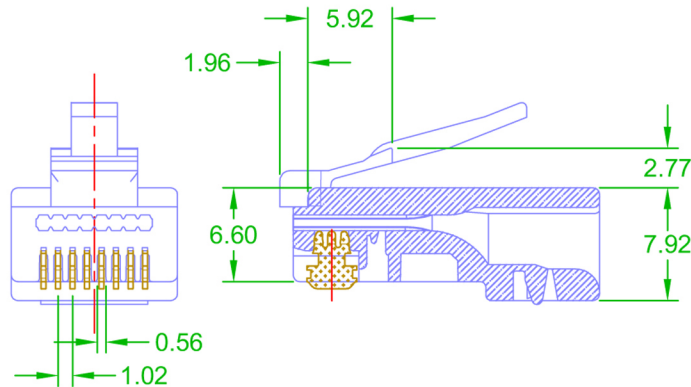
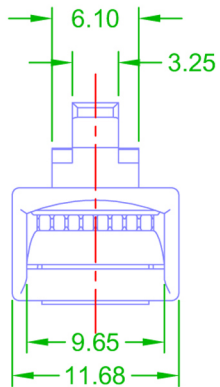


ROHS Compliant

Code: PXSPDY5



1. Housing material: Polycarbonate
Flammability rating: UL 94V-0, RoHS Compliant
2. Contacts type: Three prong pin fits solid or stranded wires
3. Gold plating: $50\mu\text{m}/1.27\mu\text{m}$
4. Packaging quantity: #500 = 500 pcs
#100 = 100 pcs
#10 = 10 pcs
5. Housing colour: Transparent
6. Operating temperature: -10°C to 60°C



Three prong pin
(not to scale)

