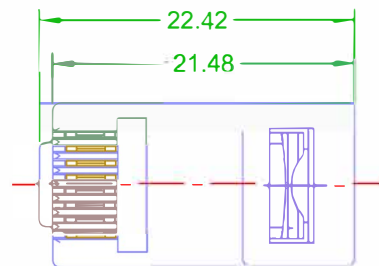
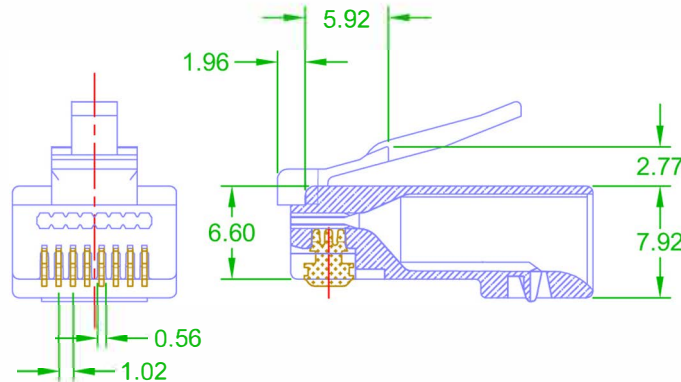
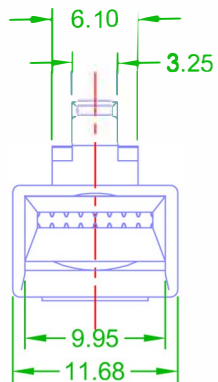
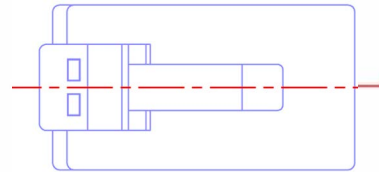


ROHS Compliant

Code: PXSPDY6



1. Housing material: Polycarbonate  
Flammability rating: UL 94V-0, RoHS Compliant
2. Contacts type: Three prong pin fits solid or stranded wires from 0.51 - 0.40mm (24 - 26 AWG)
3. Gold plating: 50 $\mu$ "/1.27 $\mu$ m
4. Packaging quantity: #500 = 500 pcs  
#200 = 200 pcs  
#100 = 100 pcs  
#10 = 10 pcs
5. Housing colour: Transparent
6. Operating temperature: -10°C to 60°C
7. Suitable for cable O.D. 5.0 - 6.0mm



Three prong pin  
(not to scale)

