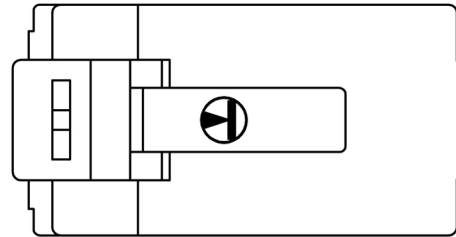


ROHS Compliant

Code: PXSPDY6Sc



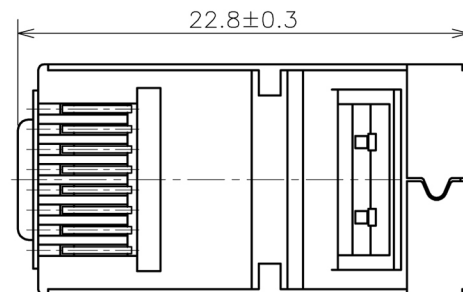
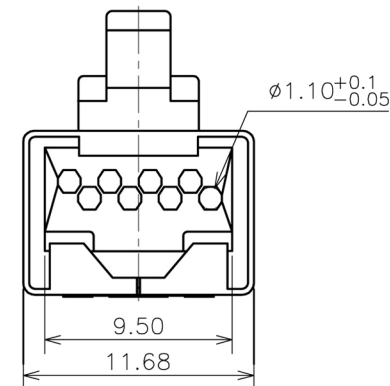
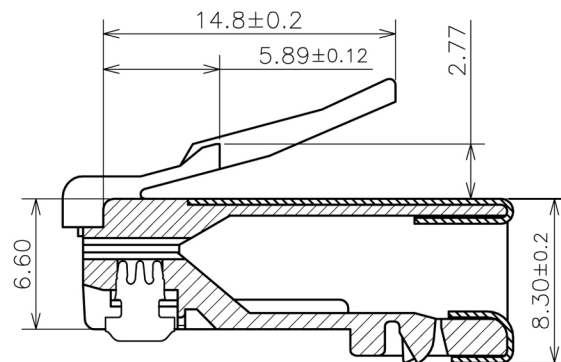
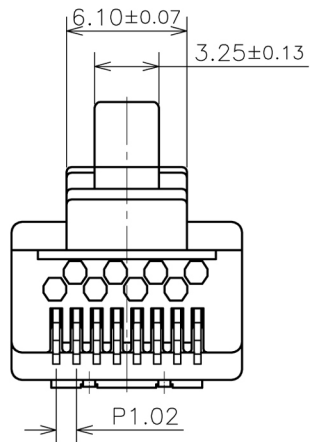
Material:

Housing: PC resin, UL94-V0, transparent

Contacts: Phosphor copper plated with $50\mu\text{m}/1.27\mu\text{m}$ thick hard gold

over nickel underplate on contact area

Shell: $80\mu\text{m}/2.03\mu\text{m}$ nickel plated brass



DIMENSIONAL TOLERANCE

X.X	±0.20
X.XX	±0.10
X.XXX	±0.05
ANGLE	±2°

THIRD ANGLE PROJECTION

