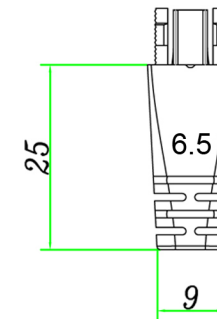
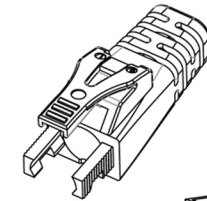
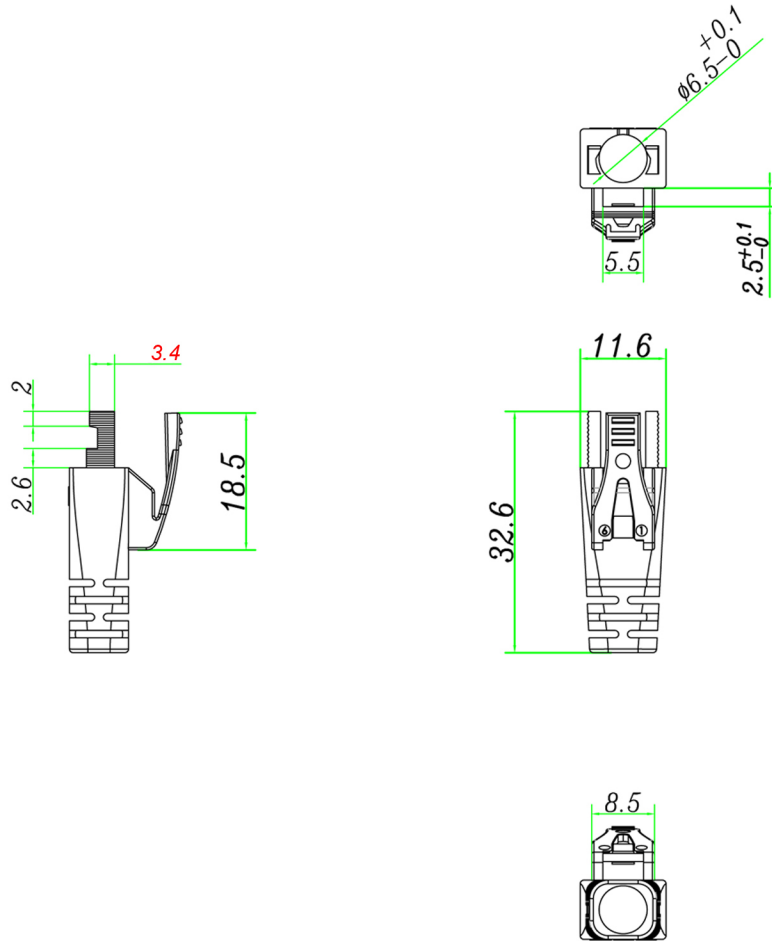


ROHS Compliant

Code: PSDL5



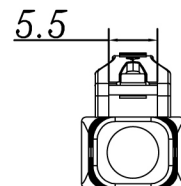
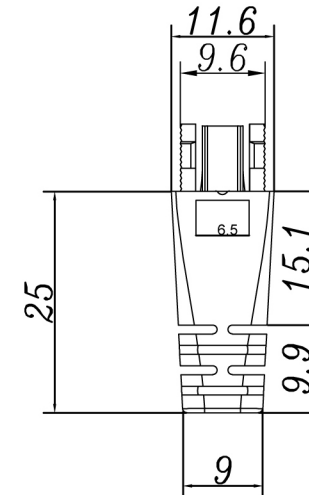
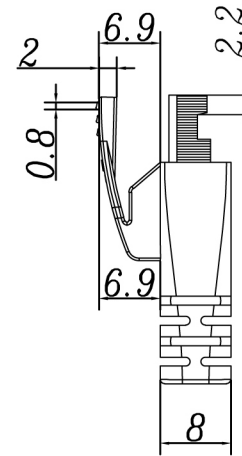
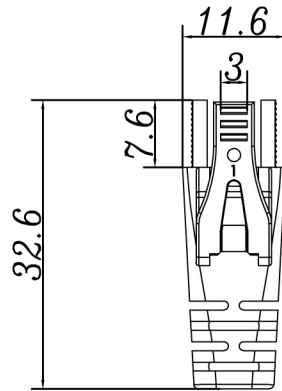
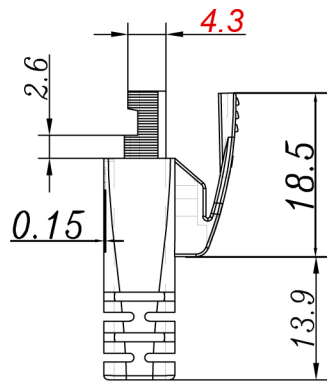
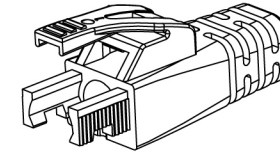
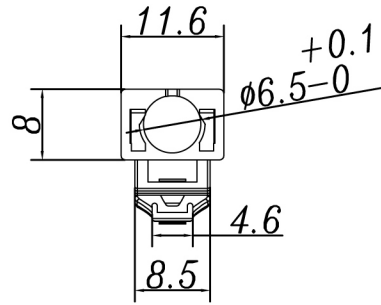
Locking boot for Category 5e, 6.5" OD
 Clear white
 Material: PC UL 94V-0
 Packing: 100pcs/bag

UNLESS OTHERWISE SPECIFIED TOLERANCE	
ANG.	$\pm 5^\circ$
0.	± 0.20
.0	± 0.15
.00	± 0.10



ROHS Compliant

Code: PSDL6



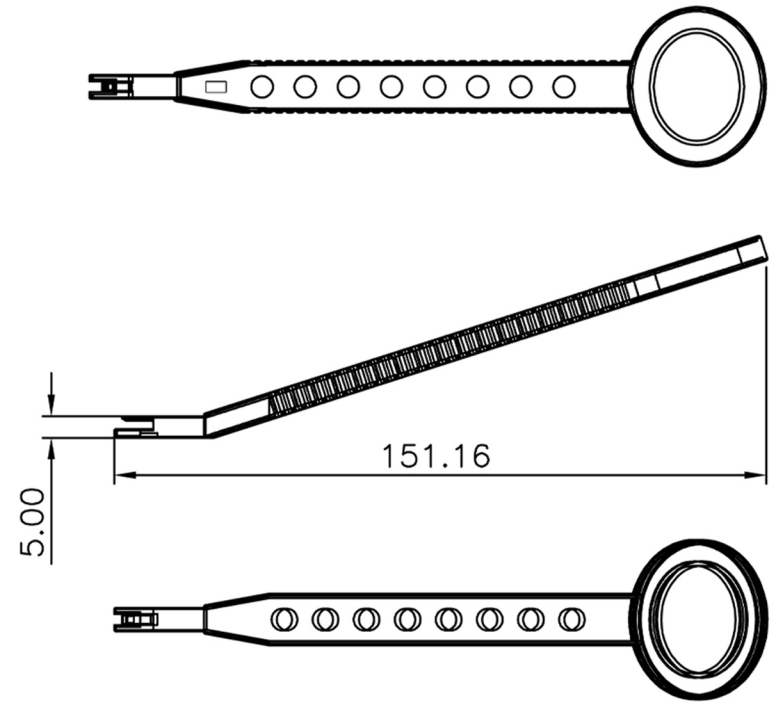
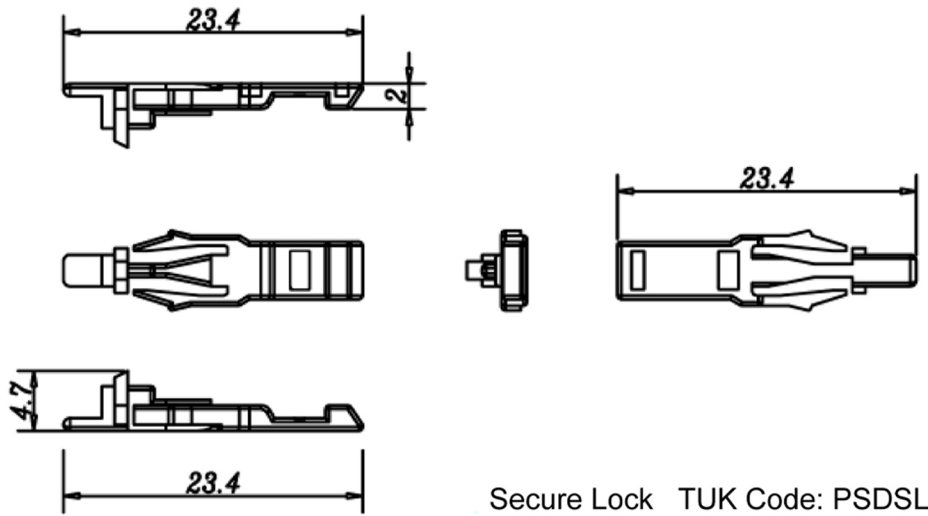
Material: PC UL 94V-0 Clear White

Packing: 100pcs/bag



ROHS Compliant

**Code: PSDSL
TPS**



Key for Secure Locks TUK Code: TPS

