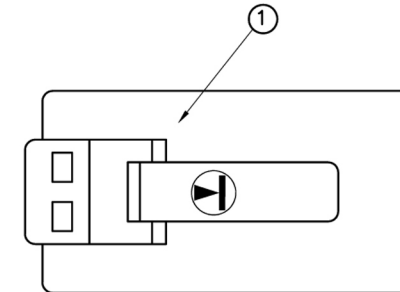
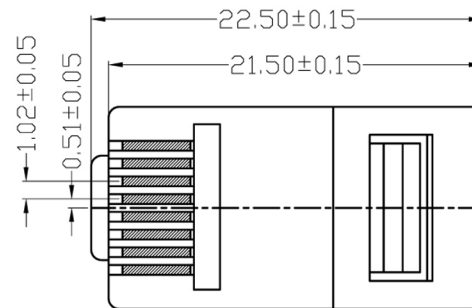
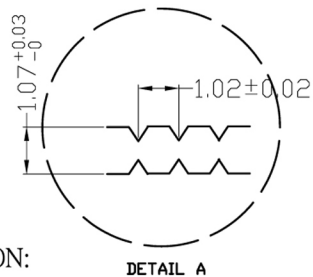
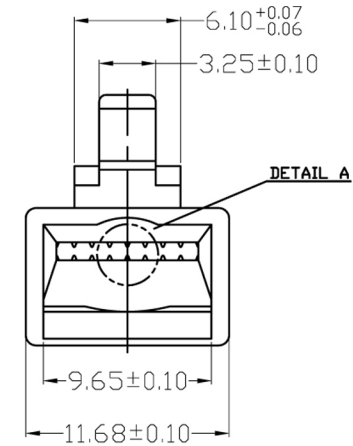
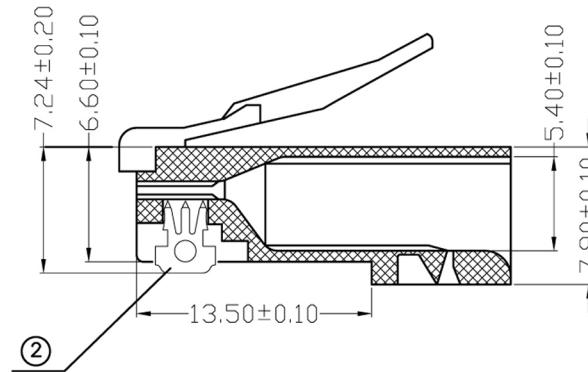
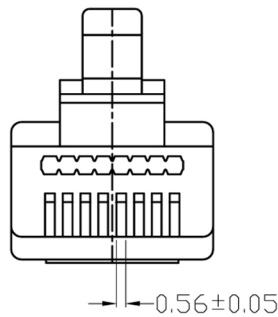


ROHS Compliant

Code: PXSPDY6b



SPECIFICATION:

1.MATERIAL:

HOUSING PLASTIC:POLYCARBONATE UL94-V0

CONTACT Pin: 50"μ/1.27 μm gold plating over nickel over phosphor bronze

2. ELECTRICAL:

CONTACT RESISTANCE:30 MILLIOHM MAX,

INSULATION RESISTANCE:DC300V, 100 MEGOHM MIN,

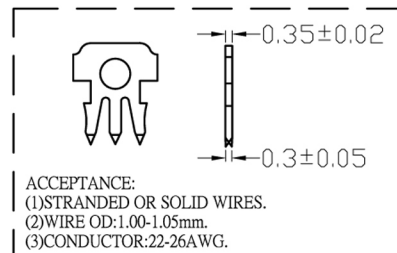
DIELECTRIC WITHSTANDING VOLTAGE:300V AC FOR 1 MINUTE

3.MECHANICAL:

WORKING TEMPERATURE:-25~55°C

DURABILITY:1000 MATING CYCLES MIN

TENSILE STRENGTH BETWEEN PLUG AND JACK IS HIGHER THAN 7.7kgf



②	CONTACT Pin	PHOSPHOR BRONZE	50"μ GOLD PLATED OVER NICKEL 3-fork
①	Housing	PC	8P8C-5. 4
NO.	NAME	Material	Specifcation