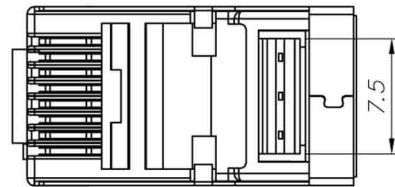
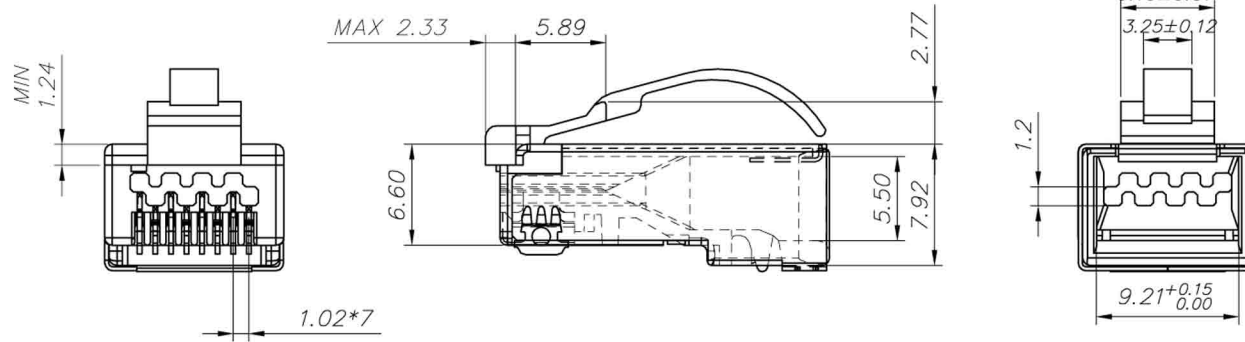
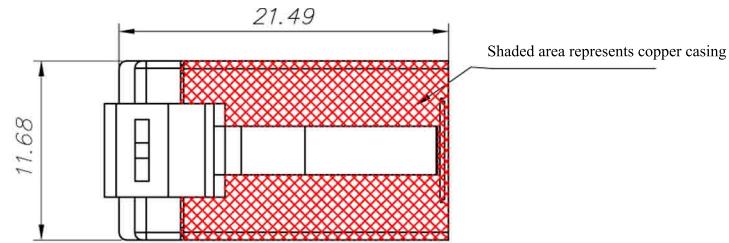


ROHS Compliant

Code: PRLGSSPDY



BLADE:	ZD	Z
Drawing		
Mark	✓	✓

SPECIFICATIONS

1.ELECTRICAL:

- UL APPLICATIONS: 250 VOLTS AC MAX. AT 2 AMPS.
- DIELECTRIC WITHSTANDING VOLTAGE : 1000 VOLTS AC. 60 SEC.
- INSULATION RESISTANCE: 500 MΩ.
- CONTACT RESISTANCE: 20mΩ MAX.
- OPERATING AMBIENT TEMPERATURE: -40°C ~ 70°C.

2.MECHANICAL:

- STRAIN RELIEF: 20POUND MIN.
- DURABILITY: 1200 MATING CYCLES.

