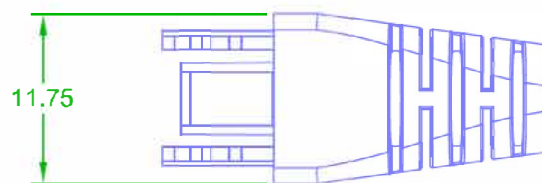
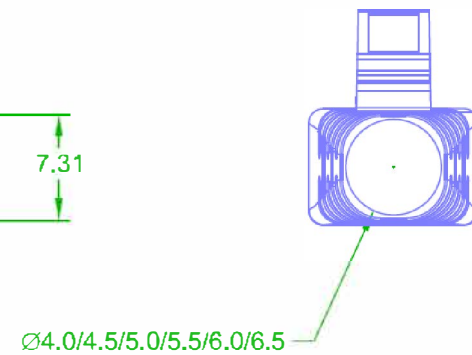
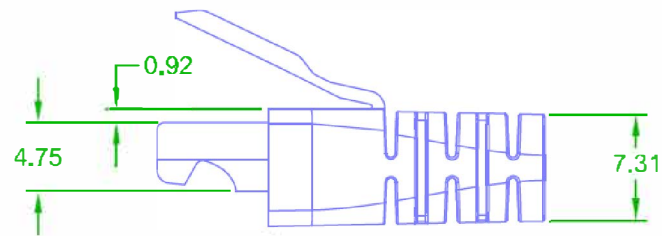
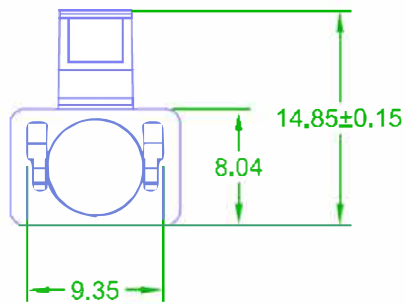
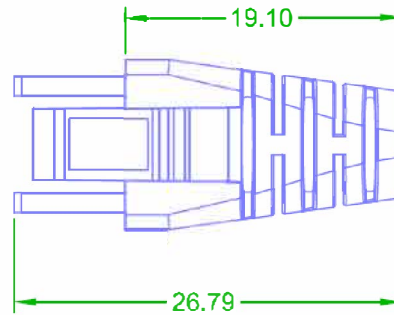
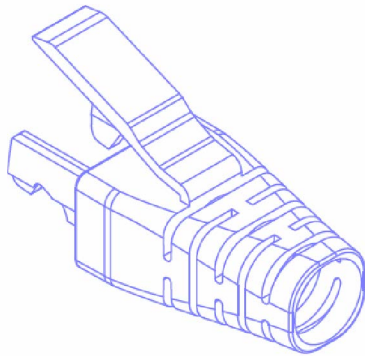


ROHS Compliant

Code: PSPDY6



NOTE TOL:±0.1

