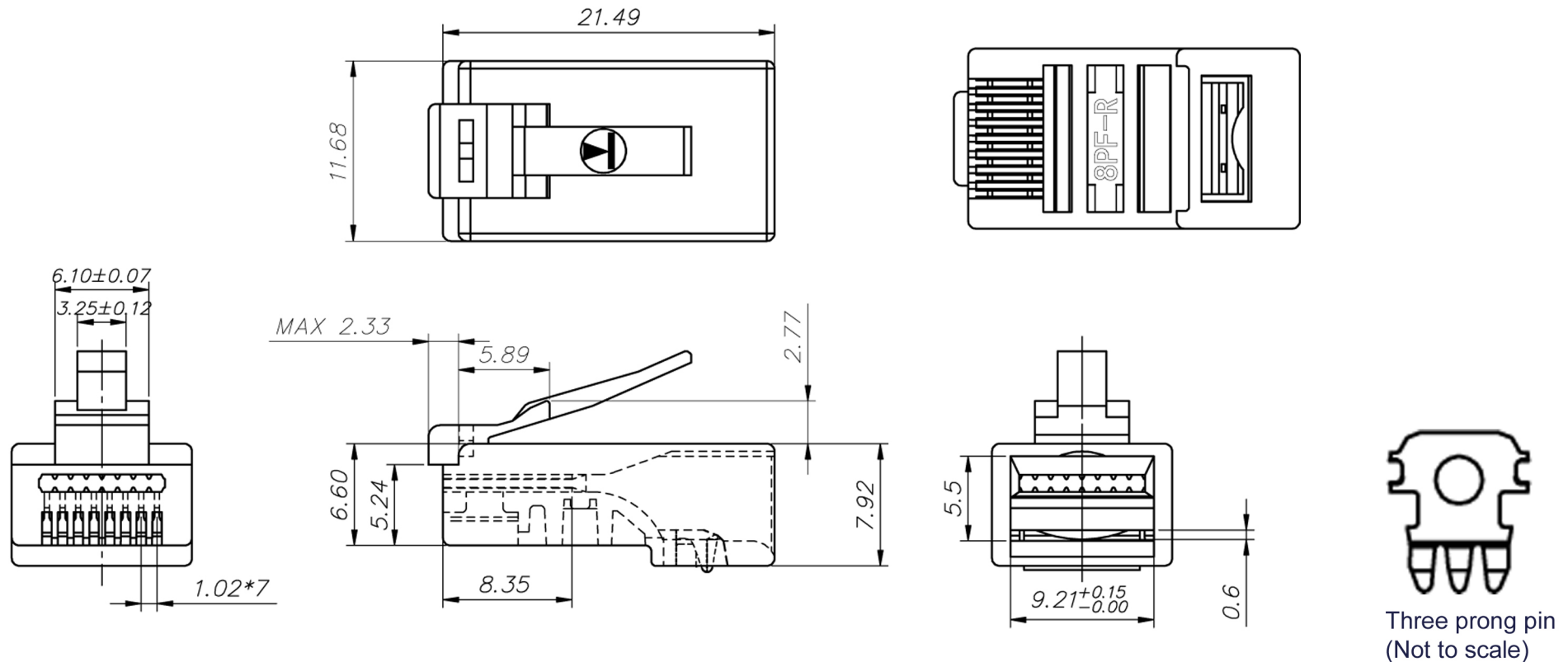


ROHS Compliant

Code: PXSPDY5b



SPECIFICATIONS:

1. ELECTRICAL:

- UL Applications: 250 Volts AC Max. at 2 Amps.
- Dielectric withstanding voltage: 1000 Volts AC. 60 seconds
- Insulation Resistance: 50M Ω
- Contact Resistance: 20m Ω Max.
- Operating ambient temperature: -40°C ~ 70°C

2. MECHANICAL:

- Strain Relief: 20lb (9.07kg) min.
- Durability: 1000 mating cycles

3. MATERIALS:

- Housing: Polycarbonate UL94V-0
- Colour: Transparent
- Contact blade: Copper alloy
- Gold plating: 50 μ "/1.27 μ m

4. USAGE:

- Three prong pin fits stranded or solid cores 23 – 26 AWG, with insulation OD 0.93 – 1.04mm
- Suitable for cable O.D. 5.0 - 6.0mm



12/12/2022